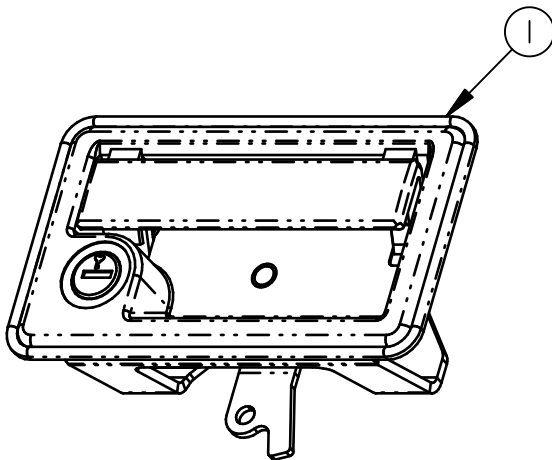


REV.	ECN	BY	CHKD	REVISION
0	RLSE	BJP 8/28/98	CML 8/31/98	RELEASED

11	-	ASSY, DOOR, SWING, LH	1
10	-	UPPER RELEASE ROD	1
9	-	LOWER RELEASE ROD	1
8	-	INSIDE ASSY RELEASE ROD	1
7	-	INSIDE ASSY LOCK ROD	1
6	10335-16	ASSY, BLT/WSHR, .905SHLDR, 3/8-16	2
5	11920-16	ASSY, CAGE, NUT, 3/8 THD	2
4	11657-16	ASSY, SGLRTR, LH, 1/4-20, 2PT	1
3	11656-16	ASSY, SNGLRTR, RH, 1/4-20, 2PT	1
2	11298-01	030-0425, CNC, RH, INSBZL, MNLLK, LABELS	1
1	12429-01	030-0450, CNNC, TM211, LH, 2PT, SHTSTUD, INTEAR	1

NOTES:

1. CLIPS TO SECURE RODS NOT SHOWN.
2. FOR FMVSS 206 APPLICATIONS, A COMPLETE SYSTEM ANALYSIS MUST BE PERFORMED BY TRI/MARK OR CUSTOMER.



SCALE 0.500

**PRODUCT SUPPORT DRAWING**  
Individual part dimensions are for reference only. Refer to individual part drawings for complete dimensions and specifications.

**SHEET 1 OF 3**

DRAWN BY	BJP	8/28/98
CHKD BY	CML	8/31/98
RLSE DATE	RCH	8/31/98

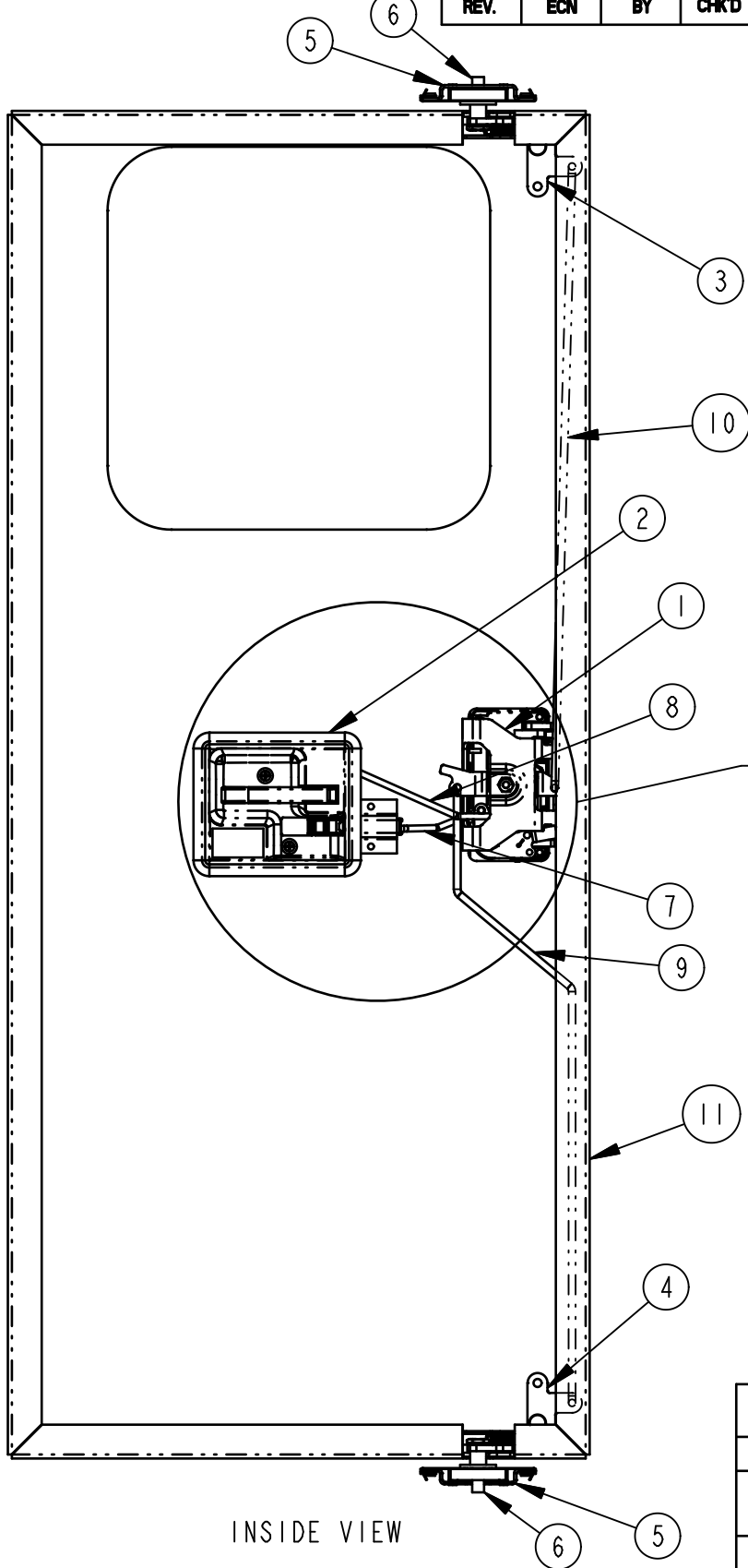
**TYPICAL APPLICATION**

AMBULANCE ENTRANCE DOOR

SCALE	PART NAME
1:5	030-0450, 030-0425, 050-0200, DR, ENTR, SWG, LH

**A**

REV.	PART NO.
0	TY030-0450A



INSIDE VIEW

SEE DETAIL A

**PRODUCT SUPPORT DRAWING**  
 Individual part dimensions are for reference only. Refer to individual part drawings for complete dimensions and specifications.

**SHEET 2 OF 3**

DRAWN BY	BJP	8/28/98
CHKD BY	CML	8/31/98
RLSE DATE	RCH	8/31/98

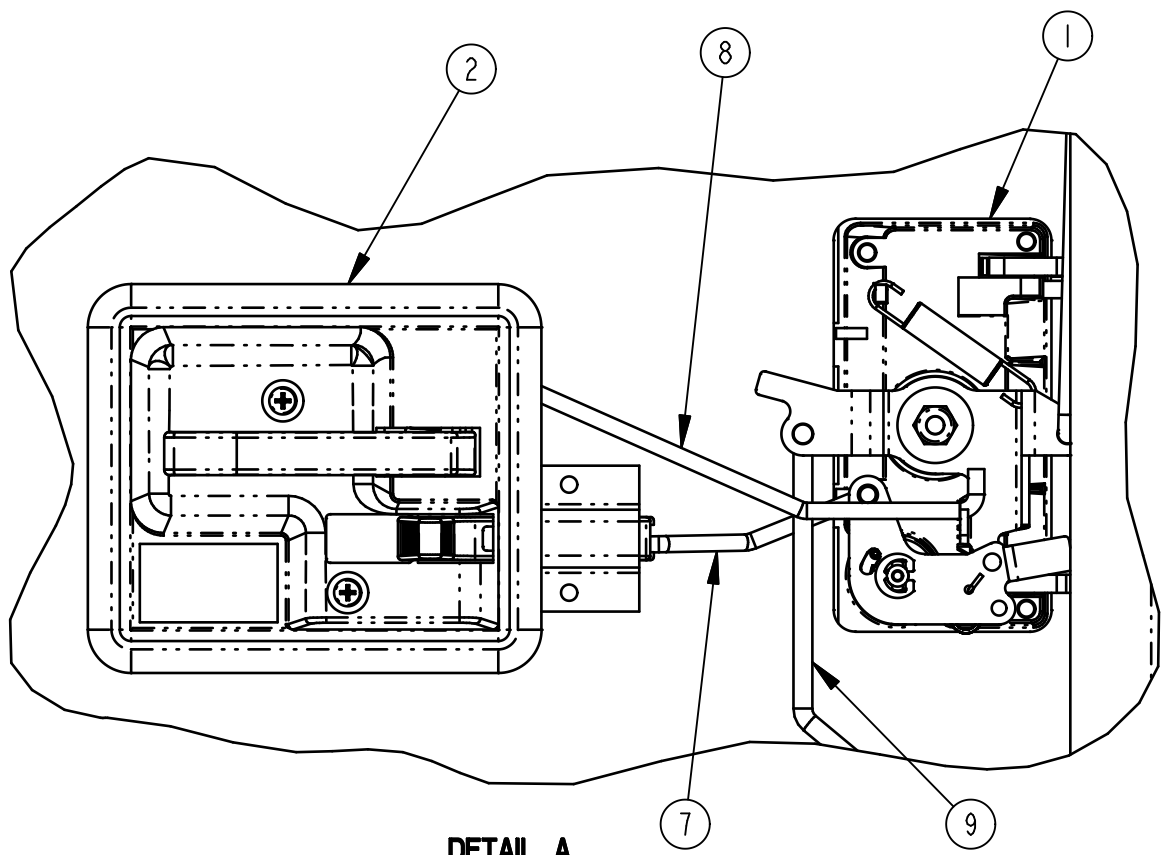
**TYPICAL APPLICATION**  
 AMBULANCE ENTRANCE DOOR

SCALE	PART NAME
1:5	030-0450, 030-0425, 050-0200, DR, ENTR, SWG, LH

**A**

REV.	PART NO.
0	TY030-0450A

REV.	ECN	BY	CHKD	REVISION
------	-----	----	------	----------



**DETAIL A**  
SCALE 0.500

**PRODUCT SUPPORT DRAWING**  
Individual part dimensions are for reference only. Refer to individual part drawings for complete dimensions and specifications.

**SHEET 3 OF 3**

<b>DRAWN BY</b>	BJP	8/28/98
<b>CHKD BY</b>	CML	8/31/98
<b>RLSE DATE</b>	RCH	8/31/98

<b>TYPICAL APPLICATION</b>	
AMBULANCE ENTRANCE DOOR	
<b>SCALE</b>	<b>PART NAME</b>
1:5	030-0450, 030-0425, 050-0200, DR, ENTR, SWG, LH

<b>A</b>	<b>REV.</b>	<b>PART NO.</b>
	0	TY030-0450A